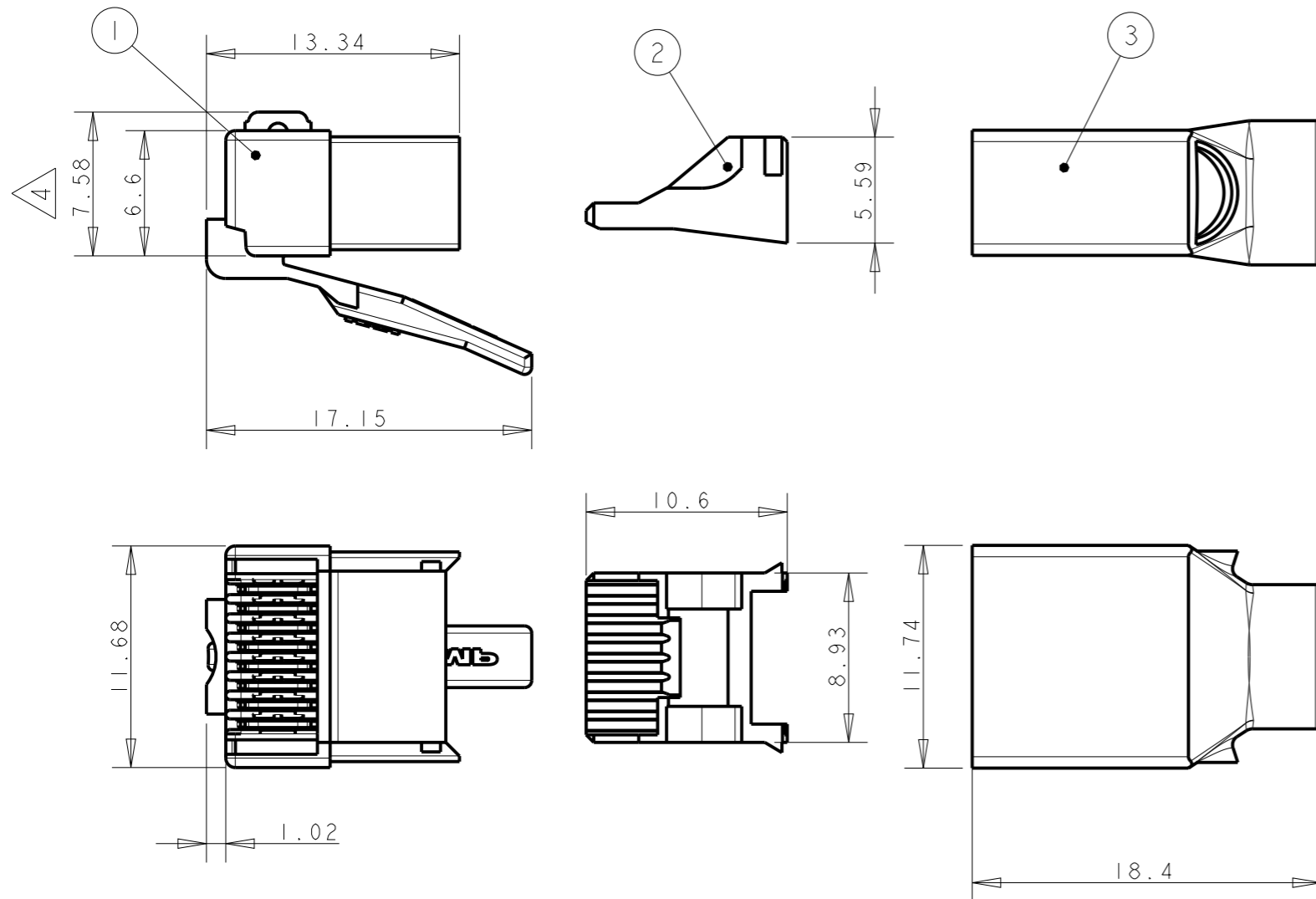


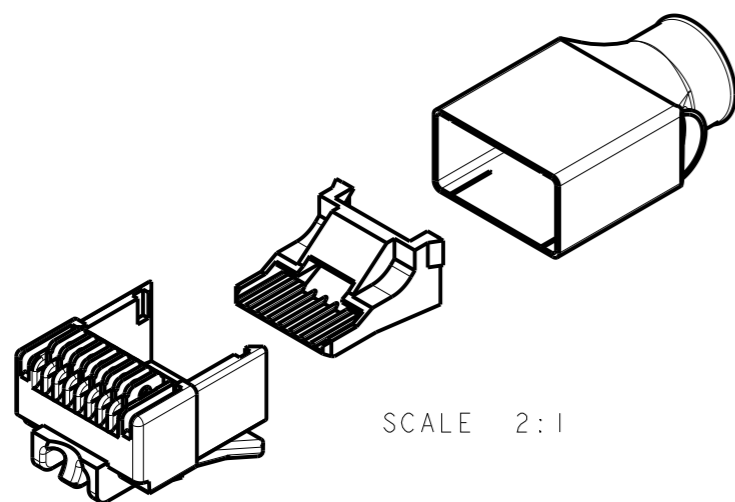
REVISIONS

P	LTR	DESCRIPTION	DATE	DWN	APVD
	E	ECR-14-002029	08APR2014	LD	JS




- 1 MATERIAL - POLICARBONATE MAKROLON CLEAR.  
TERMINAL - 0.36 [.014] THICK PHORSPHAR BRONZE PLATED WITH 0.178 microm [.000007] MINIMUM HARD GOLD OVER 0.762microm [.000030] MINIMUM PALLADIUM / NICKEL IN LOCALIZED AREA, OVER 2.54microm [.000100] MINIMUM NICKEL UNDERPLATE  
WIRE HOLDER - POLICARBONATE MAKROLON CLEAR.  
SHIELD - BRASS DIN 17660 - CuZn33.
- 2 DIMENSION ARE NOMINAL UNLESS OTHERWISE SPECIFIED.
- 3. PLUG WILL BE ACCEPT A 24-26 AWG STRANDED CONDUCTOR, PROVIDED THE INSULATION CONDUCTOR DIAMETER IS WITHIN 0,89 - 1,09; WITH THE SUM OF DIAMETERS FOR ALL EIGHT CONDUCTORS WITHIN THE CABLE MUST NOT EXCEED 7,8 mm. CABLE JACKET DIAMETER OF 6,0 - 7,0 mm.
- 4 TERMINATED DIMENSION 6,15 MAXIMUM.
- 5 PACKAGE: 1000 SUB-ASSEMBLIES, 1000 WIRE HOLDERS AND 1000 SHIELDS.
- 6 PACKAGE: 500 SUB-ASSEMBLIES, 500 WIRE HOLDERS AND 500 SHIELDS.
- 7 PACKAGE: 100 SUB-ASSEMBLIES, 100 WIRE HOLDERS AND 100 SHIELDS.
- 8 PACKAGE: 25 SUB-ASSEMBLIES, 25 WIRE HOLDERS AND 25 SHIELDS.
- 9. MODULAR PLUG BOOT, PART NUMBER 336513-X (X- DENOTES VARIOUS COLORS), MAY BE USED WITH KIT ASSEMBLY SHOWN.
- 10. FLAMMABILITY RATING: UL 94V-0

OBSOLETE	8	5-1711346-4
ACTIVE	7	5-1711346-3
	6	5-1711346-2
	5	5-1711346-1
STATUS	PACKAGE	PART NO



SCALE 2:1

THIS DRAWING IS A CONTROLLED DOCUMENT.		DWN L. de Dios 10Feb06	 TE Connectivity	
DIMENSIONS: mm		CHK M. Maqueda 10Feb06		
TOLERANCES UNLESS OTHERWISE SPECIFIED:		APVD J. Sanabria 10Feb06	NAME KIT, 8 POSN, SHIELDED, STRANDED, ROUND CABLE, MOD PLUG	
0 PLC ±-		PRODUCT SPEC 108-1990	RESTRICTED TO	
1 PLC ±-		APPLICATION SPEC 114-93006	SIZE A3	CAGE CODE -
2 PLC ±-		WEIGHT -	DRAWING NO C-1711346	SCALE N.T.S.
3 PLC ±-		CUSTOMER DRAWING	SHEET 1	OF 1
4 PLC ±-			REV E	
ANGLES ±-				
FINISH				